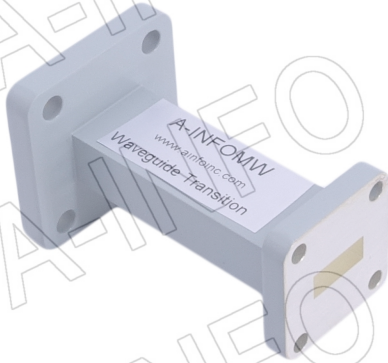


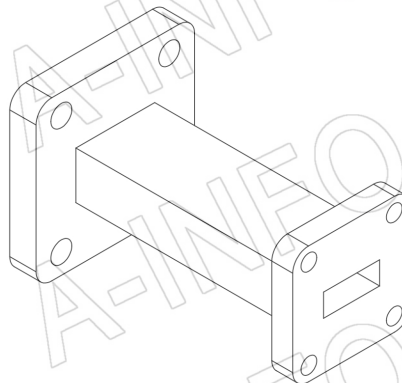
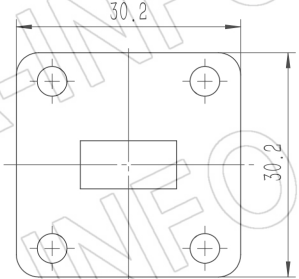
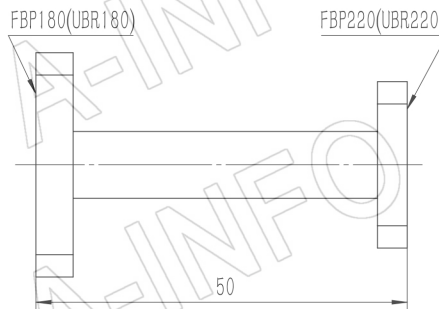
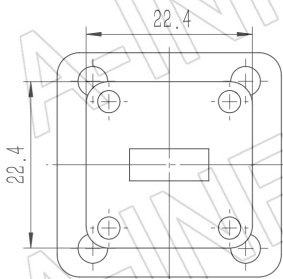
For reference only. See data sheet for the detailed specifications.

Technical Specification

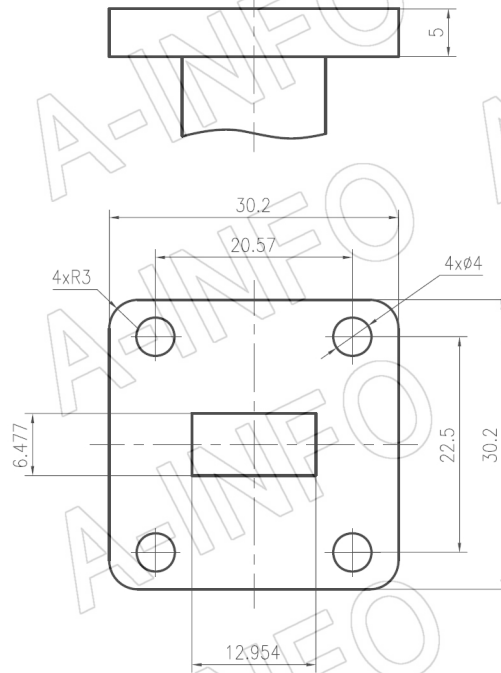


EIA WR to WR	WR51 to WR42
Frequency Range(GHz)	18.0 – 22.0
Length(mm\inch)	50 \ 2
Insertion Loss(dB)	0.1 Max.
VSWR	1.05:1 Max.
WR51 Flange	FBP180(UBR180)
WR42 Flange	FBP220(UBR220)
Material	Cu
Finish	Silver Plated, Gray Paint
Size(mm)	50 x 30.2 x 30.2
Net Weight(Kg)	0.08 Around

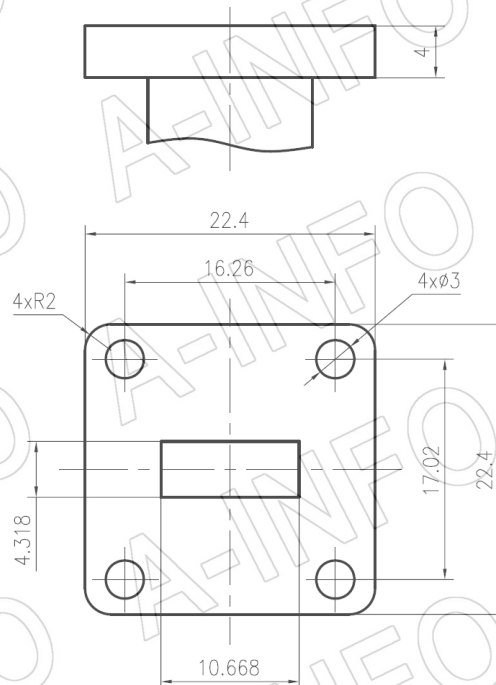
Outline Drawing (Size: mm)



Outline Drawing (Size: mm)



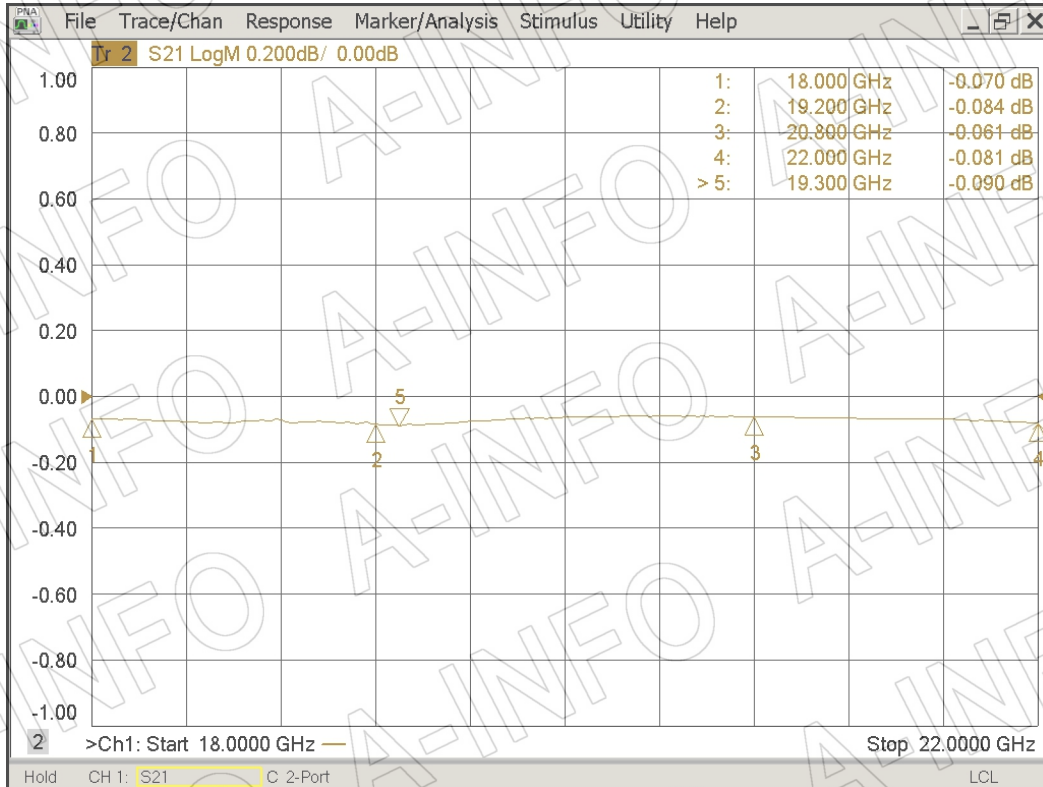
FBP180



FBP220

Test Results

I.L. (Test with two transitions back to back)



VSWR

